

212fw-30 Kids' Fair Isle Vest



Suggested yarn:

- Pierrot Yarns Junmo Chuboso [50% merino wool, 50% other wool; 164 yds/150m per 1.41 oz./40g skein];
 - color #304 shell pink, 1 skein [20g]
 - color #307 crimson, 1 skein [5g]
 - color #314 cyan green, 1 skein [10g]
 - color #321 gray beige, 2 skeins [75g]
 - color #325 night blue, 1 skein [10g]

Tools/Notions:

- 3.0mm (US 2½) and 3.3mm (approx. US 3) straight knitting needles or sizes necessary to achieve gauge
- 3.0mm (US 2½) double-pointed knitting needles or size necessary to achieve gauge

Finished measurements:

- chest 76cm/29.92"
- cross back width 31cm/12.20"
- length 41.5cm/16.34"

Gauge (10cm/4" square):

- pattern stitch: 28 sts and 32 rows

Gauge may vary according to individual knitting style. Change needle size if necessary to achieve gauge. Alternatively, rework pattern with your own gauge measurements.

Knitting Tips

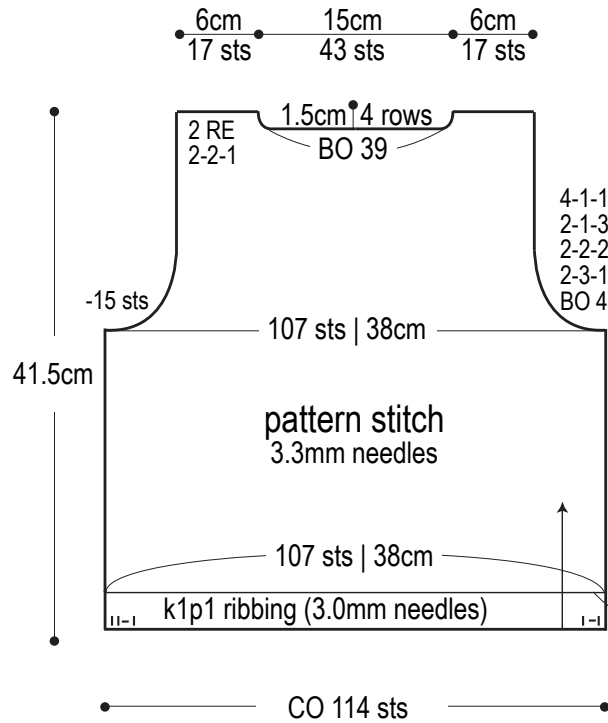
Back & front body: Cast on with long-tail cast-on method. Work in k1p1 ribbing followed by pattern stitch. Shape armhole and neckline by binding off stitches as indicated and by decreasing at edges. At center of front neckline, place one stitch on stitch holder, then begin working right front and left front separately.

Finishing: Seam shoulders with crochet slip stitch seam. Seam sides with mattress stitch. Pick up stitches around armholes and neckline; work edging in k1p1 ribbing in the round. Bind off in pattern. Refer to chart for V-neck edging decreases.

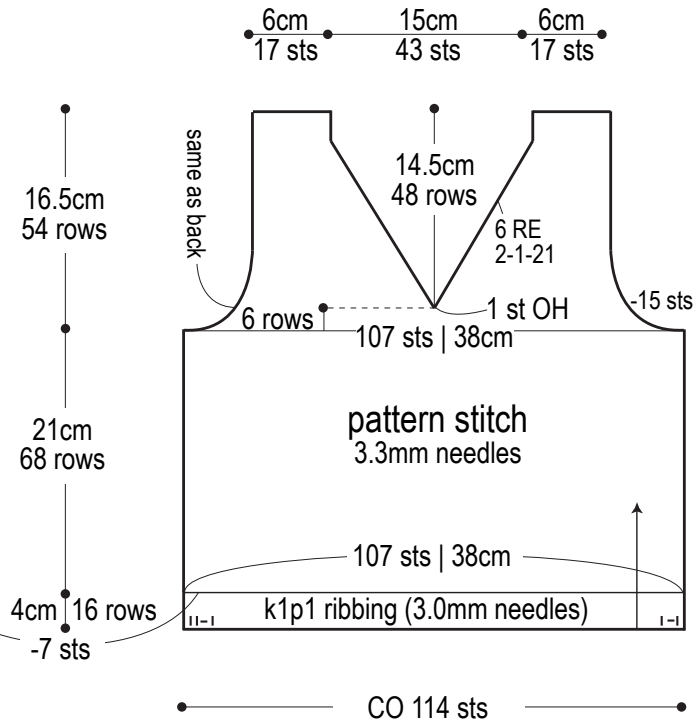
Abbreviations:

BO = bind off CO = cast on OH = on hold (that is, place on stitch holder) PU = pick up RE = row(s) even ### = rows-stitches-times

Back



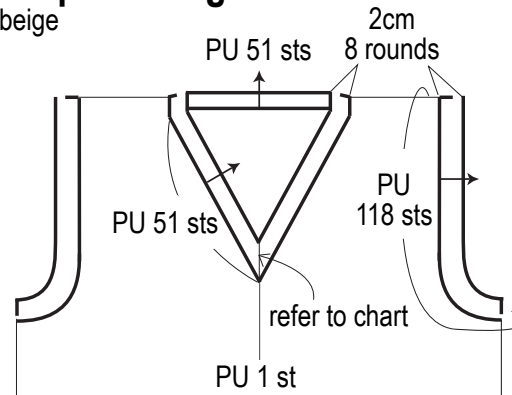
Front

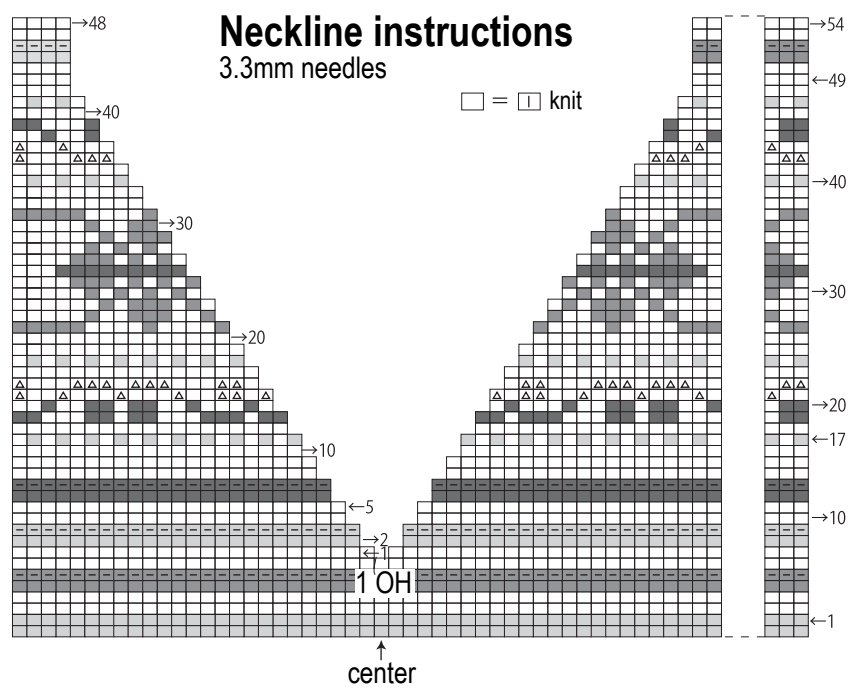


※Use color #321 gray beige for ribbing. Refer to chart for color sequences of pattern stitch.

Armscye & neckline: k1p1 ribbing

3.0mm DPNs, color #321 gray beige





- = #304 shell pink
- = #314 cyan green
- = #325 night blue
- △ = #307 crimson
- = #321 gray beige

V-neck edging

k1p1 ribbing, 3.0mm needles

